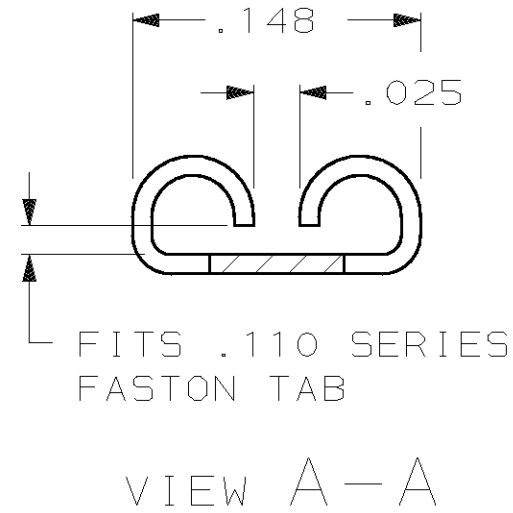
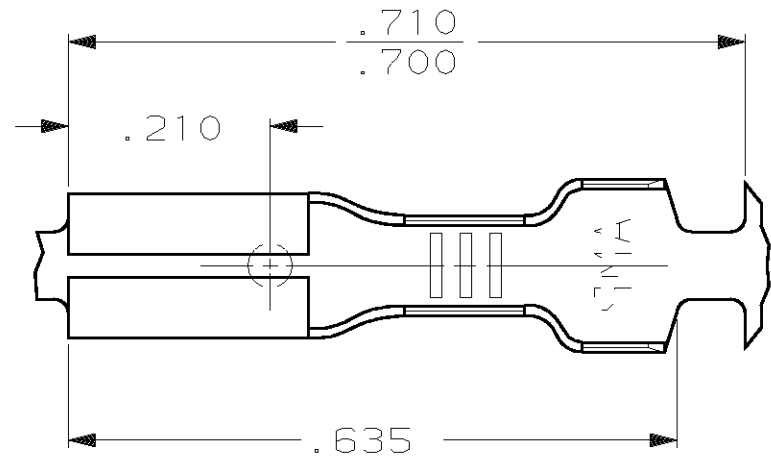


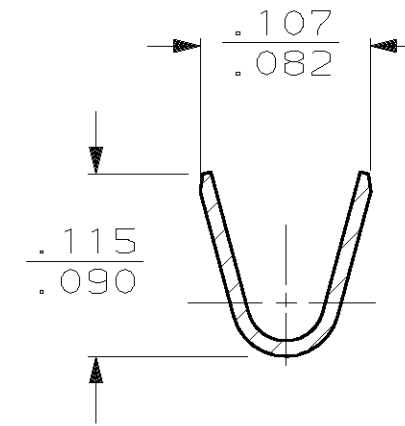
THIS DRAWING IS UNPUBLISHED. RELEASED FOR PUBLICATION, 19 .
 © COPYRIGHT 19 BY AMP INCORPORATED. ALL INTERNATIONAL RIGHTS RESERVED.

| LOC | DIST | P | F | REVISIONS | | | | |
|-----|------|---|---|-----------|-----|----------------------|---------|-------|
| | | | | ZONE | LTR | DESCRIPTION | DATE | APPD |
| AF | 50 | | | | AP | REL PER 063A-0355-02 | 13JUN02 | JR/PD |

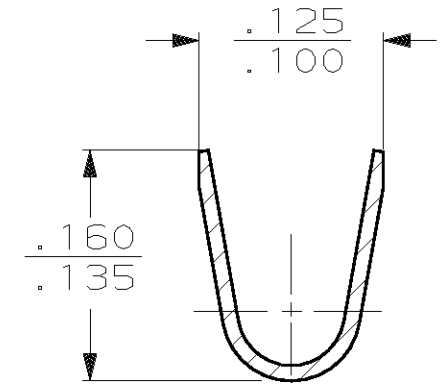
- CONTINUOUS STRIP ON REELS.
- MATING TAB THK IS .032±.001.



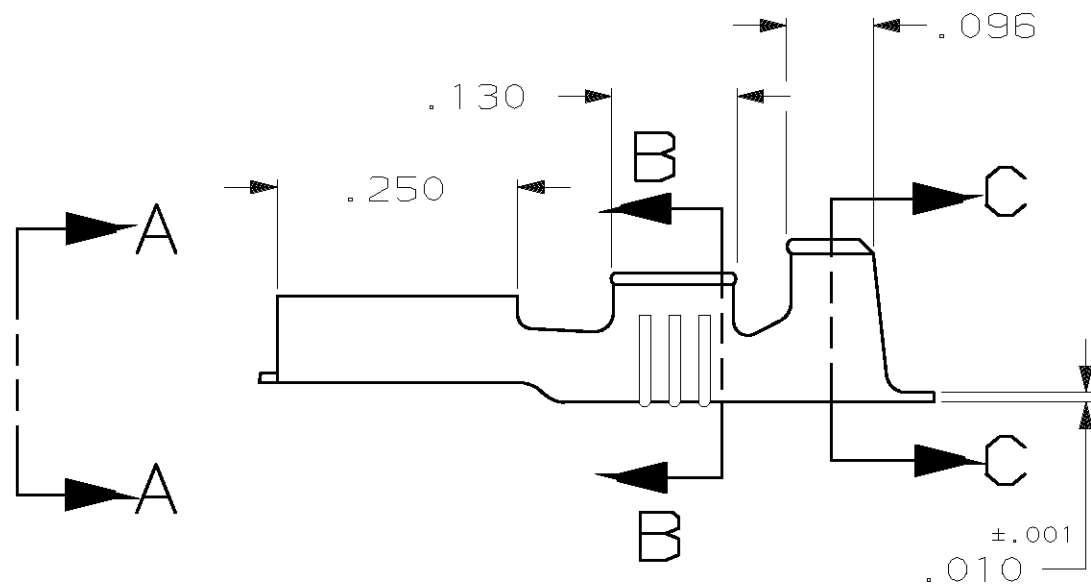
FITS .110 SERIES FASTON TAB



SECTION B-B



SECTION C-C



| | | | |
|--|--|--|--------------------|
| .060-.100 DIA | #22-#18 AWG | PLAIN | 60197-2 |
| | | PRE-TIN | 60197-1 |
| INSUL RANGE | WIRE SIZE | FINISH | PART NO |
| DO NOT SCALE PRINT. UNLESS SPECIFIED DIMENSIONS IN mm [INCHES] TOLERANCES ON: 2 PLC DEC ± - 3 PLC DEC ± .015 ANGLES ± - | DR 6/23/87 JR RUTH CHK 6/23/87 G YETTER APPD 6/23/87 C MEYERS APPD 6/23/87 R KUZO | AMP AMP Incorporated Harrisburg, PA 17105-3608 | |
| MATERIAL #4H BRASS | PRODUCT SPEC - | NAME RECEPTACLE, FASTON,™ .110 SERIES | |
| FINISH SEE TABLE | APPLICATION SPEC - | SIZE B | CAGE CODE 00779 |
| | WEIGHT - | DRAWING NO C-60197 | SHEET 1 OF 1 |
| | | SCALE 5:1 | |

THIS DRAWING IS A CONTROLLED DOCUMENT FOR AMP INCORPORATED. IT IS SUBJECT TO CHANGE AND THE CONTROLLING ENGINEERING ORGANIZATION SHOULD BE CONTACTED FOR THE LATEST REVISION.